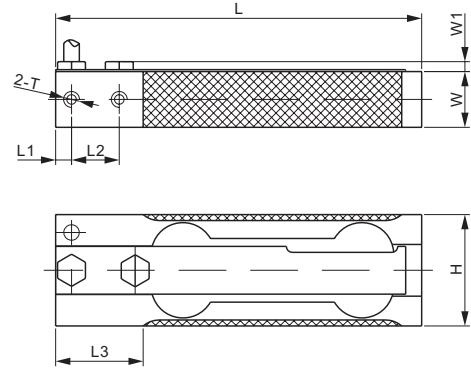
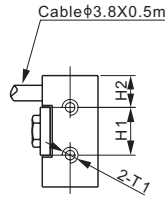


华南恒泰



OIML **CE** RoHS

DIMENSIONS

RATED CAPACITY	H	H1	H2	L	L1	L2	L3	W	W1	T	T1
kg/mm											
0.1-0.5	28	12	8	92	4	12	22	10	4	M4 Depth8	M4
1-2	28	12	8	92	4	12	22	12	4	M4 Depth8	M4
3-5	28	12	8	92	4	12	22	14	4	M4 Depth8	M4
lb/inches (conversion of above dimensions)											
0.22-1.1	1.10	0.47	0.31	3.62	0.16	0.47	0.87	0.39	0.16	M4 Depth0.31	M4
2.2-4.4	1.10	0.47	0.31	3.62	0.16	0.47	0.87	0.47	0.16	M4 Depth0.31	M4
6.6-11	1.10	0.47	0.31	3.62	0.16	0.47	0.87	0.55	0.16	M4 Depth0.31	M4

SPECIFICATIONS

Full Scale Output	Capacity ≤ 500g: 1.0 mV/V ± 20% Capacity ≥ 1kg: 2.0 mV/V ± 20%	Recommended Excitation	10V (15V Maximum)
Zero Balance	± 0.02 mV/V	Reference Max. Platform Size	Capacity ≤ 500g: 200 × 200 mm Capacity ≥ 1kg: 230 × 230 mm
Non-linearity	Cap. ≤ 500g: < ± 0.023%; Cap. ≥ 1kg: < ± 0.017%	Insulation Resistance	> 2 [50V DC] GΩ
Repeatability	Cap. ≤ 500g: < ± 0.023%; Cap. ≥ 1kg: < ± 0.017%	Nominal Temperature Range	-10°C to 40°C / 14°F to 104°F
Hysteresis Error	Cap. ≤ 500g: < ± 0.023%; Cap. ≥ 1kg: < ± 0.017%	Safe Overload	150% of full scale
Creep in 30 min.	Cap. ≤ 500g: < ± 0.050%; Cap. ≥ 1kg: < ± 0.023%	Breaking Overload	300% of full scale
Input Resistance	415Ω ± 15	Seal Type / IP Rating	Environmentally Sealed / IP66
Output Resistance	350Ω ± 3	Cable Color Code	Exc+ Red Exc- Black Sig+ Green Sig- White Shield Bare
Element Material	Aluminum		

PART NUMBER

Rated Capacity	Part No.	Shipping Weight (kg) Approx.
100g.....	108AA-100g.....	0.1
200g.....	108AA-200g.....	0.1
300g.....	108AA-300g.....	0.1
500g.....	108AA-500g.....	0.1
1kg.....	108AA-1kg.....	0.1
2kg.....	108AA-2kg.....	0.1
3kg.....	108AA-3kg.....	0.1
5kg.....	108AA-5kg.....	0.1

OIML 1kg-5kg: OIML C3

SINGLE POINTS