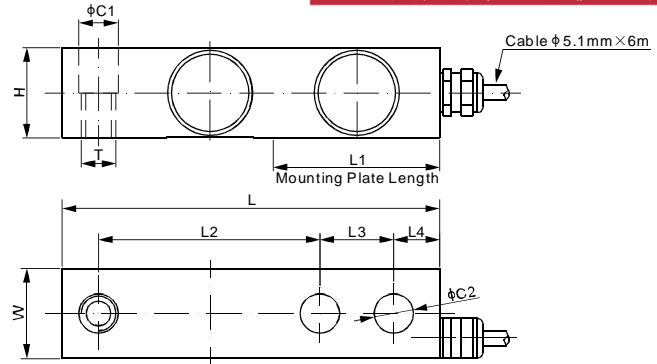


563YS; 563YS30

Stainless Steel

SINGLE ENDED BEAMS

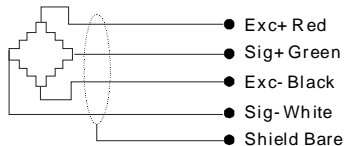


DIMENSIONS

RATED CAPACITY	C1	C2	H	L	L1	L2	L3	L4	W	T
lb/inches										
500...4,000; SE5,000	0.53	0.53	1.22	5.12	2.25	3.00	1.00	0.62	1.22	1/2-20 UNF-2B
5,000...10,000	0.79	0.79	1.50	6.75	3.00	3.75	1.50	0.75	1.50	3/4-16 UNF-2B
15,000...20,000	1.03	1.03	2.00	8.75	4.00	4.75	2.00	1.00	2.00	1-14 UNS-2B
kg/mm										
250...2,000	13.5	13.5	31.0	130.0	57.2	76.2	25.4	15.8	31.0	M12X1.75
3,000;5,000	20.0	20.0	38.1	171.5	76.2	95.3	38.1	19.1	38.1	M18X1.50
10,000	26.2	26.2	50.8	222.3	101.6	120.7	50.8	25.4	50.8	M24X2.00

SPECIFICATIONS

Accuracy class		-	NTEP 1:6 000 Class III, M; NTEP 1:3500 Class III, S **	-
Rated Capacity	kg or t/lb	250kg / 500	500kg; 1t; 2t/ 1K; 2.5K; 4K; SE5K	3t; 5t/ 5K; 10K 10t/ 15K; 20K
Weight (G), approx.	kg/lb	1 / 2	1 / 2	2 / 4 4 / 9
Full Scale Output	mV/V	563YS:2 ± 0.25%; 563YS30:3.0 ± 0.25%		
Zero Balance	mV/V	± 0.06		
Non-linearity *	%	< ± 0.023		
Repeatability *	%	< ± 0.023		
Hysteresis Error *	%	< ± 0.023		
Creep in 30 min.	%	< ± 0.030		
Bridge Resistance	Ω	350 ± 7		
Rated Excitation	V(DC/AC)	10 (15V Maximum)		
Insulation Resistance	GΩ	> 2 [50 VDC]		
Nominal Temperature Range	°C/°F	-10 to 40/ 14 to 104		
Safe Overload	% of full scale	150		
Breaking Overload	% of full scale	300		
Seal Type		Welded-d-seal, IP68		



- Exc+ Red
- Sig+ Green
- Exc- Black
- Sig- White
- Shield Bare

* The data for deviation of linearity, repeatability and hysteresis error meets the requirements according to NTEP 1:5 000 Class III, multiple cell
** NTEP certified for 563YS-1Klb... 10Klb only

AVAILABLE OPTIONS

- Service temperature range up to 120°C [248°F]
- Through mounting hole: 563YSTH
- 6-wire circuit
- Hermetic sealed. Glass to metal connector

WEIGH MODULE AVAILABLE

Model	Page
563YSM3.....	102

INTERCHANGEABLE PRODUCTS

Manufacturer	Model
563YS	
Rice Lake.....	RL35082
Rice Lake.....	RLHTO
Vishay Sensortronics.....	65083S
Vishay TedeA-Huntleigh.....	3510-kg
563YS30	
HBM.....	B35 (glue seal)
HBM.....	H35 (welded seal)
Rice Lake.....	RL35083
Rice Lake.....	RL39123
Vishay Celtron.....	SQB-HSS
Vishay Revere Transducers.....	9123
Vishay Sensortronics.....	65023S (glue seal)
Vishay Sensortronics.....	65023SS (1K~10K, glue seal)
Vishay Sensortronics.....	65083
Vishay TedeA-Huntleigh.....	3510-lbs

China Contact
TEL:0755-29660599
E-Mail:sales@hnhtsz.com