

FEATURES

- Spraying plastic surface aluminum alloy IP66 "S" type load cell
- Tension and compression applications
- Suitable for textile machinery measuring and other electronic measuring systems

AVAILABLE MODELS

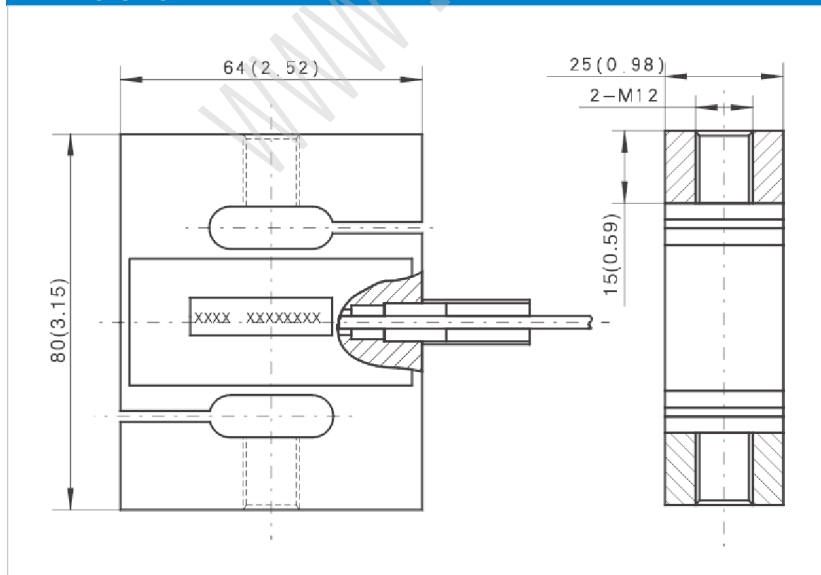
200kg-700kg C2 L3V-C2-xxkg-2.6B



SPECIFICATION

Maximum capacity (E _{max})	kg	200/250/500/700
Output sensitivity (=FS)	mV/V	2.3±0.2
Accuracy class		C2
Combined error	%FS	±0.03
Creep	%FS/30min	±0.024
Temperature effect on sensitivity	%FS/10°C	±0.03
Temperature effect on zero	%FS/10°C	±0.5
Zero balance	%FS	±1.5
Compensated temperature	°C	-10~ +40
Operating temperature	°C	-35~ +65
Storage temperature	°C	-40 ~ +70
Input resistance	Ω	410±30
Output resistance	Ω	350±3
Insulation resistance	MΩ	≥ 5000 (50VDC)
Excitation, recommended voltage	V	5~12 (DC)
Excitation maximum	V	18 (DC)
Safe overload	%FS	120
Ultimate overload	%FS	150
Ingress protection (according to EN 60529)		IP66
Cable SPECIFICATION	mm	φ5.0
Cable length	m	2.6
Recommended torque on fixation	N.m	100

DIMENSIONS IN MM



WIRING

