

Model PSH(Flush Diaphragm)

High Performance Pressure Transducer

Description

PSH(Flush Diaphragm) model is designed as a flush diaphragm suitable for sanitary use and is high precise for tank levels. Media-wetted materials there are composed by stainless steel 316L to have superior corrosion-resistant properties. It is applied to precise measurement and builds an inner amplifier to interface with various kinds of controllers.

Features

- ▶ CE Certified
- ▶ VDC, mA output
- ▶ Measuring range 0~3.5MPa
- ▶ 0.15%FS accuracy
- ▶ Gauge and absolute measurement
- ▶ Piezoresistive silicon cell
- ▶ Stainless steel(316L) media-wetted materials

Applications

- ▶ Food Process control
- ▶ Water Resource management
- ▶ Sewage Water & Slurry
- ▶ Glues & Resins
- ▶ Oils & Lubricants
- ▶ Cosmetics & Pulps
- ▶ Abrasive Liquids



Specifications

Range

0 ~ 5kPa ... 3.5MPa(Gauge)
 -100kPa ~ 0 ... 3.5MPa (Gauge)
 0 ~ 35kPa ... 3.5MPa (Absolute)

Performance

Accuracy ±0.15%FS(RSS)
Thermal Effect on Zero ±0.03%FS/°C
Thermal Effect on Span ±0.03%FS/°C
Compensated Temperature Range -10 ~ 70°C
Operating Temperature Range -20 ~ 80°C

Electrical

Excitation 11 ~ 28VDC
Output 0~5VDC, 1~5VDC, 0~10VDC(3, 4Wire)
 4~20mA(2, 3 Wire)

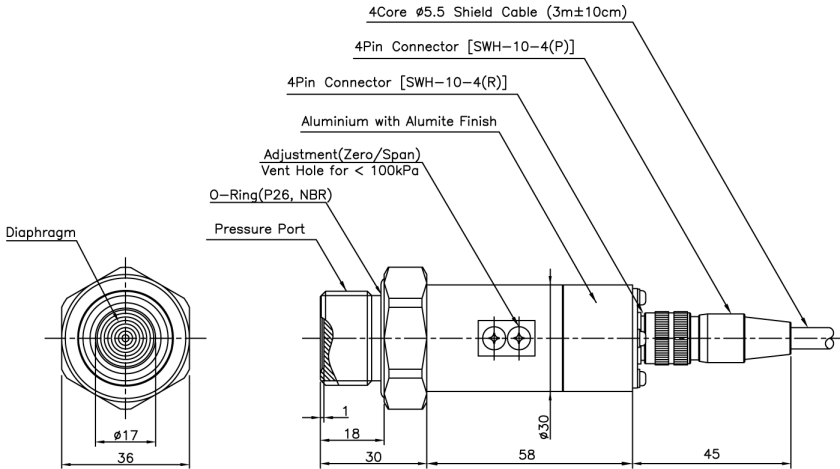
Electrical Connection

Connector, Head, Din Connector

Physical

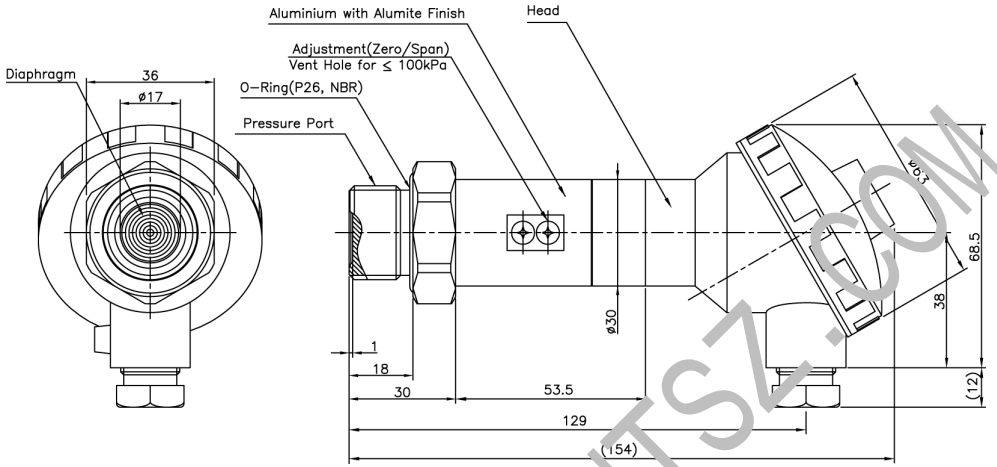
Proof Pressure X3
Burst Pressure X4
Vibration 49.1m/s²{5G}, 10~500Hz
Shock 490m/s²{50G}
Pressure port R(PT)3/4", G(PF)3/4"
Media-Wetted Materials Stainless Steel 316L, Viton
Weight Connector type : Approx. 180g (Sensor Only)

► Connector Type



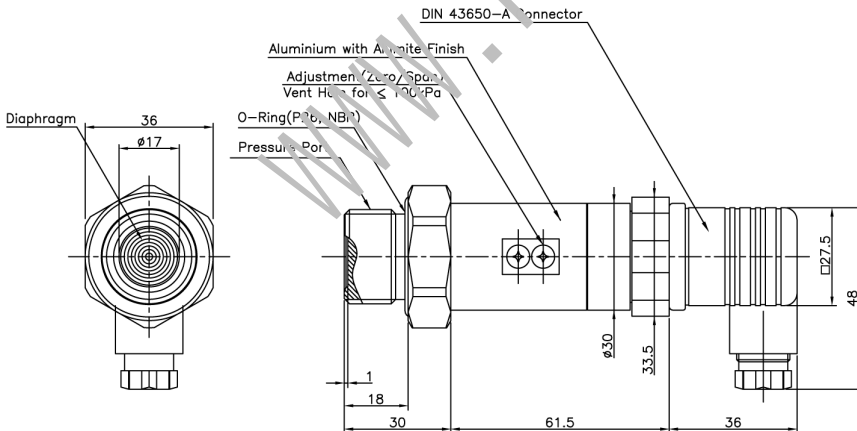
Pin No.	Wire Color	Connections		
		4Wire	3Wire	2Wire
1	Red	Input ⊕	Input ⊕	Input ⊕
2	White	Output ⊖	Common ⊖	×
3	Black	Input ⊖	×	Output ⊕
4	Green	Output ⊕	Output ⊕	×
5	Shield	Earth	Earth	Earth

► Head Type



No.	Connections
	2Wire
+	Input ⊕
⊕	Earth
-	Output ⊕

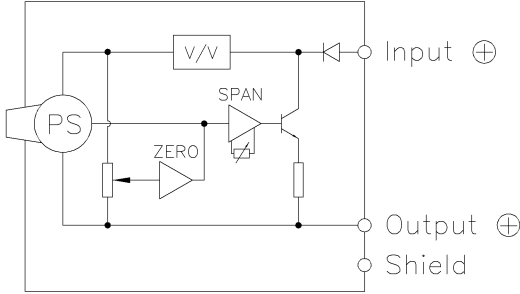
► Din connector Type



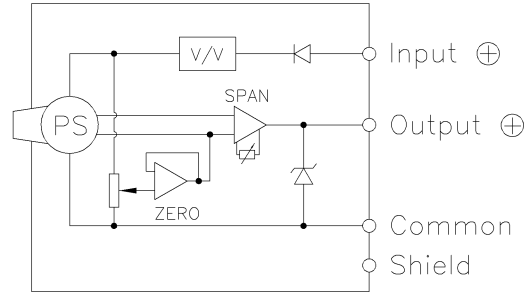
Pin No.	Connections	
	3Wire	2Wire
1	Input ⊕	Input ⊕
2	Common ⊖	Output ⊕
3	Output ⊕	×
⊕	Earth	Earth

Internal Circuit Diagram

▶ 2Wire mA Output Type



▶ 3, 4Wire mA, VDC Output Type



Ordering Information

Model Name	PSH B 0005 R I P G	Type of Pressure Measurement
Output	B : 4Wire 0~5V C : 3Wire 0~5V D : 4Wire 1~5V E : 3Wire 1~5V F : 4Wire 4~20mA G : 3Wire 4~20mA H : 2Wire 4~20mA J : 3Wire 0~10V K : 4Wire 0~10V	Connecting Methods
Pressure Range	XXXX : Pressure	Pressure port
		W : R(PT)3/4"(Flush Diaphragm) I : G(PF)3/4"(Flush Diaphragm)
		Pressure Unit
		R : kPa M : MPa B : bar K : kgf/cm ² P : psi H : mmHg C : cmH ₂ O