

Model PSH

High Performance Pressure Transducer

HNHT 深圳华南恒泰
www.HNHTSZ.com
进口传感器供应商

Description

PSH model is high precise and its media-wetted materials are composed of stainless steel 316L, having excellent corrosion-resistant properties. It is applied to precise measurement and builds an inner amplifier to interface with various kinds of controllers.

Features

- ▶ CE Certified
- ▶ VDC, mA output
- ▶ Measuring range 0~35MPa
- ▶ 0.15%FS accuracy
- ▶ Gauge and absolute measurement
- ▶ Piezoresistive silicon cell
- ▶ Stainless steel(316L) media-wetted materials

Applications

- ▶ Process control
- ▶ Hydraulics & Pneumatic
- ▶ Compressor Control
- ▶ Chillers
- ▶ Refrigeration Equipment

Specifications



Range

0 ~ 5, 10, 20, 30, 50, 100, 200, 300, 500, 700kPa / 2, 3.5, 7, 20, 35MPa(Gauge)
 -100 ~ 0, 30, 50, 100, 200, 300, 500, 700kPa (Gauge)
 0 ~ 100, 200, 300, 500, 700kPa / 2, 3.5, 7, 20, 35MPa (Absolute)

Performance

Accuracy ±0.15%FS(RSS)
Thermal Effect on Zero ±0.03%FS/°C
Thermal Effect on Span ±0.03%FS/°C
Compensated Temperature Range -10 ~ 70°C
Operating Temperature Range -20 ~ 80°C

Electrical

Excitation 11 ~ 28VDC
Output 0~5VDC, 1~5VDC, 0~10VDC(3, 4Wire)
 4~20mA(2, 3 Wire)

Electrical Connection

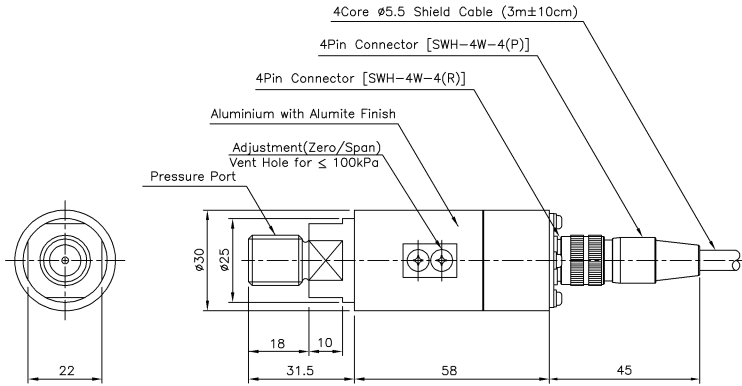
Connector, Head, Din Connector

Physical

Proof Pressure 300%FS Max.
Burst Pressure 400%FS Min.
Vibration 49.1m/s²{5G}, 10~500Hz
Shock 490m/s²{50G}
Pressure port R(PT)1/8", G(PF)1/8", R(PT)1/4", G(PF)1/4", R(PT)3/8", G(PF)3/8"
Media-Wetted Materials Stainless Steel 316L, Viton
Weight Connector type : Approx. 140g (Sensor Only)

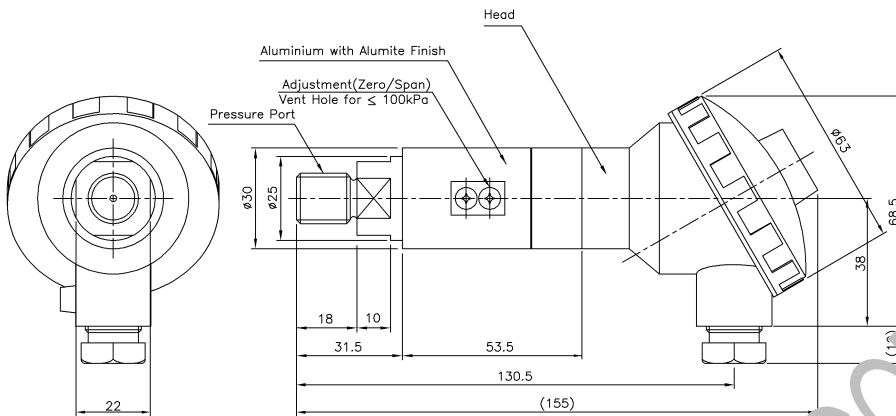
Dimension

► Connector Type



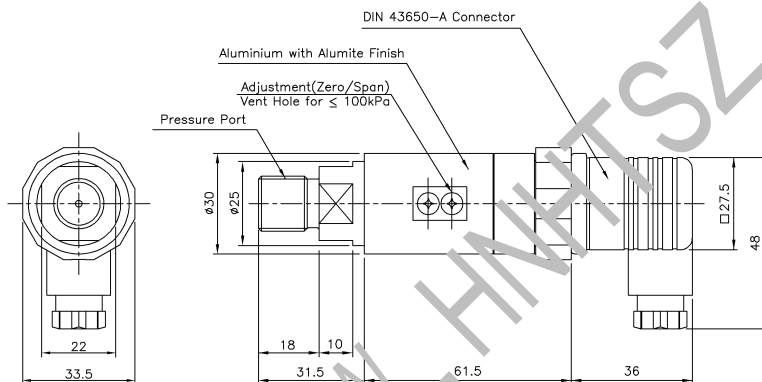
Pin No.	Wire Color	Connections		
		4Wire	3Wire	2Wire
1	Red	Input ⊕	Input ⊕	Input ⊕
2	White	Output ⊖	Common ⊖	×
3	Black	Input ⊖	×	Output ⊕
4	Green	Output ⊕	Output ⊕	×
5	Shield	Earth	Earth	Earth

► Head Type



No.	Connections
	2Wire
+	Input ⊕
⊕	Earth
-	Output ⊕

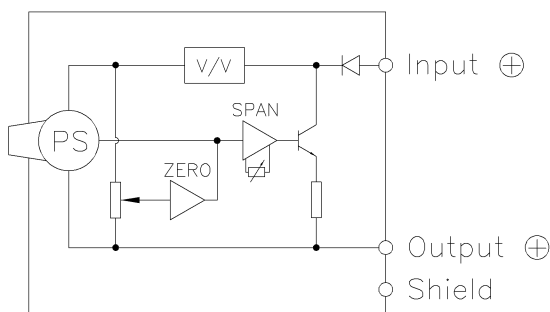
► Din connector Type



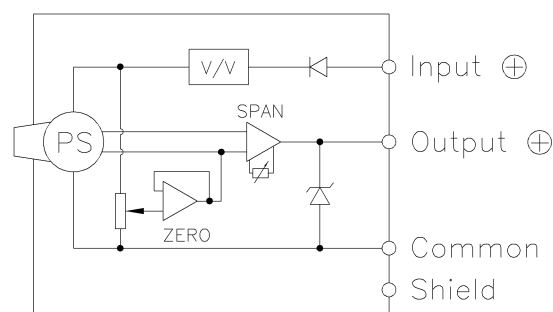
Pin No.	Connections	
	3Wire	2Wire
1	Input ⊕	Input ⊕
2	Common ⊖	Output ⊕
3	Output ⊕	×
⊕	Earth	Earth

Internal Circuit Diagram

► 2Wire mA Output Type



► 3, 4Wire mA, VDC Output Type



PSH B 0100 R A P G

Model Name

Output

B : 4Wire 0~5V G : 3Wire 4~20mA
 C : 3Wire 0~5V H : 2Wire 4~20mA
 D : 4Wire 1~5V J : 3Wire 0~10V
 E : 3Wire 1~5V K : 4Wire 0~10V
 F : 4Wire 4~20mA

Pressure Range

XXXX : Pressure
 CXXX : Compound Pressure

Type of Pressure Measurement

G : Gauge
 J : Absolute

Connecting Methode

P : Connector
 H : Head
 I : Din 43650-A connector

Pressure port

A : R(PT)3/8" D : G(PF)1/4"
 B : G(PF)3/8" G : R(PT)1/8"
 C : R(PT)1/4" H : G(PF)1/8"

Pressure Unit

R : kPa M : MPa
 B : bar K : kgf/cm²
 P : psi H : mmHg
 C : cmH₂O

WWW.HNHTSZ.COM